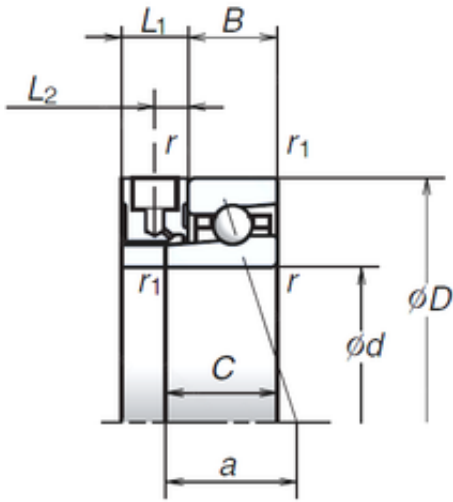




BEARING TRADING DEVELOPMENT CO LLC



90 mm x 140 mm x 24 mm NSK 90BNR10XE
angular contact ball bearings

Bearing No. 90BNR10XE

Size	90x140x24 mm
Bore Diameter	90 mm
Outer Diameter	140 mm
Width	24 mm
d	90 mm
D	140 mm
B	24 mm
C	29 mm
L2	7,5 mm
Angle (°)	18 °
a	35,7 mm
r min.	1,5 mm
r1 min.	1 mm
L1	15 mm
Weight	1,25 Kg
Basic dynamic load rating (C)	35 kN
Basic static load rating (C0)	33 kN
(Grease) Lubrication Speed	28 700 r/min

90BNR10XE Bearing 2D drawings and 3D CAD models