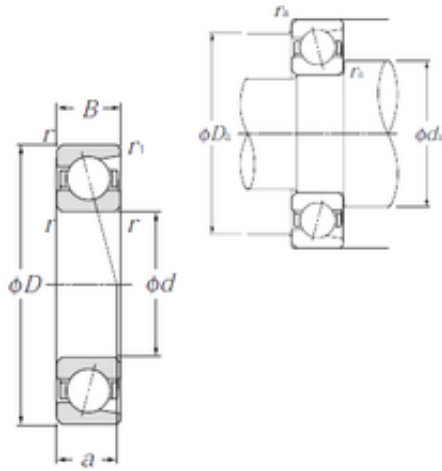




BEARING TRADING DEVELOPMENT CO LLC

200 mm x 310 mm x 51 mm NTN 7040 angular contact ball bearings



Bearing No. 7040

Size	200x310x51 mm
Bore Diameter	200 mm
Outer Diameter	310 mm
Width	51 mm
d	200 mm
D	310 mm
B	51 mm
C	51 mm
Angle (°)	25 °
a	99 mm
r min.	2,1 mm
r1 min.	1,1 mm
da min.	212 mm
ra max.	2 mm
Weight	14 Kg
Basic dynamic load rating (C)	252 kN
Basic static load rating (C0)	325 kN
(Grease) Lubrication Speed	2 100 r/min

7040 Bearing 2D drawings and 3D CAD models